



OPTIONS



VERSIONS

Type	Force N	Speed mm/s	Current per Winding A	Resolution $\mu\text{m}/\text{step}$	Resistance per Winding Ohm	Inductance per Winding mH	Thread Diameter mm	Thread Lead mm	Length „A“ mm	Socket Length „L“ mm	Weight kg
L5918S2008-T10X2	800	70	2	10	1.5	2.6	10	2	51	25	0.65
L5918S2008-T10X6	500	130	2	30	1.5	2.6	10	6	51	25	0.65
L5918L3008-T10X2	1000	80	3	10	1	2.2	10	2	76	25	1

ACCESSORIES

- ZST10-2-200-1**
Lead Screw with Trapezoidal Thread
- ZST10-2-300-1**
Lead Screw with Trapezoidal Thread
- ZST10-2-1050**
Lead Screw with Trapezoidal Thread
- ZST10-6-200-1**
Lead Screw with Trapezoidal Thread
- ZST10-6-300-1**
Lead Screw with Trapezoidal Thread
- ZST10-6-1000**
Lead Screw with Trapezoidal Thread
- NANOLUBE-50G** Lubricant

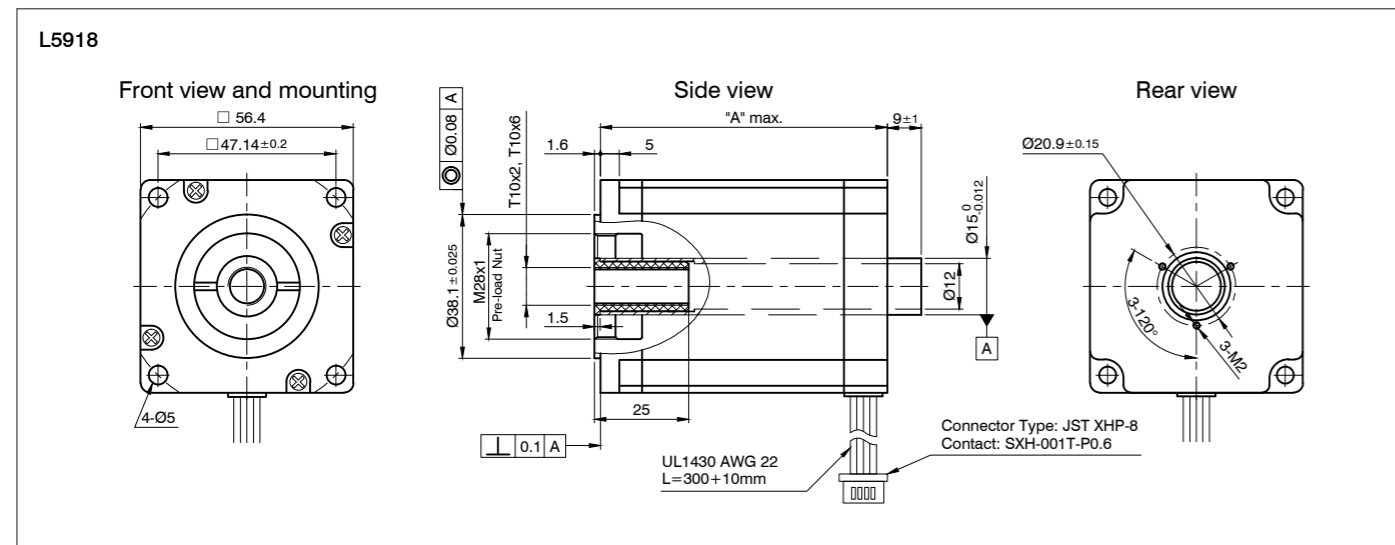


CAUTION



The force and output power ratings listed in the data sheets are based on a duty cycle of approx. 10% to 20% and must be reduced for higher values. Moving against fixed limit stops should be avoided.

DIMENSIONS (IN MM)



FORCE-VELOCITY CURVES

